

## **Transceptor de AM y CW para 80 o 40 metros.**

El Radioclub La Plata lleva adelante este proyecto junto a un grupo entusiasta de radioaficionados, que se reúnen en nuestra sede social, para construir cada uno su transceptor, aportando sus conocimientos y colaborando en cada tarea.

El objetivo es construir un equipo de bajo costo, simple de hacer, y con componentes de fácil adquisición. Se buscò información en distintos sitios de radioaficionados en Internet, se modificaron e interconectaron distintos circuitos , y así se llegó al proyecto final.

Para todos aquellos que deseen implementarlo les dejamos la siguiente información.

Características:

**Transmisor:** Frecuencia fija a cristal.

Potencia 10 W

Modos: AM y CW

**Receptor:** Conversión directa.

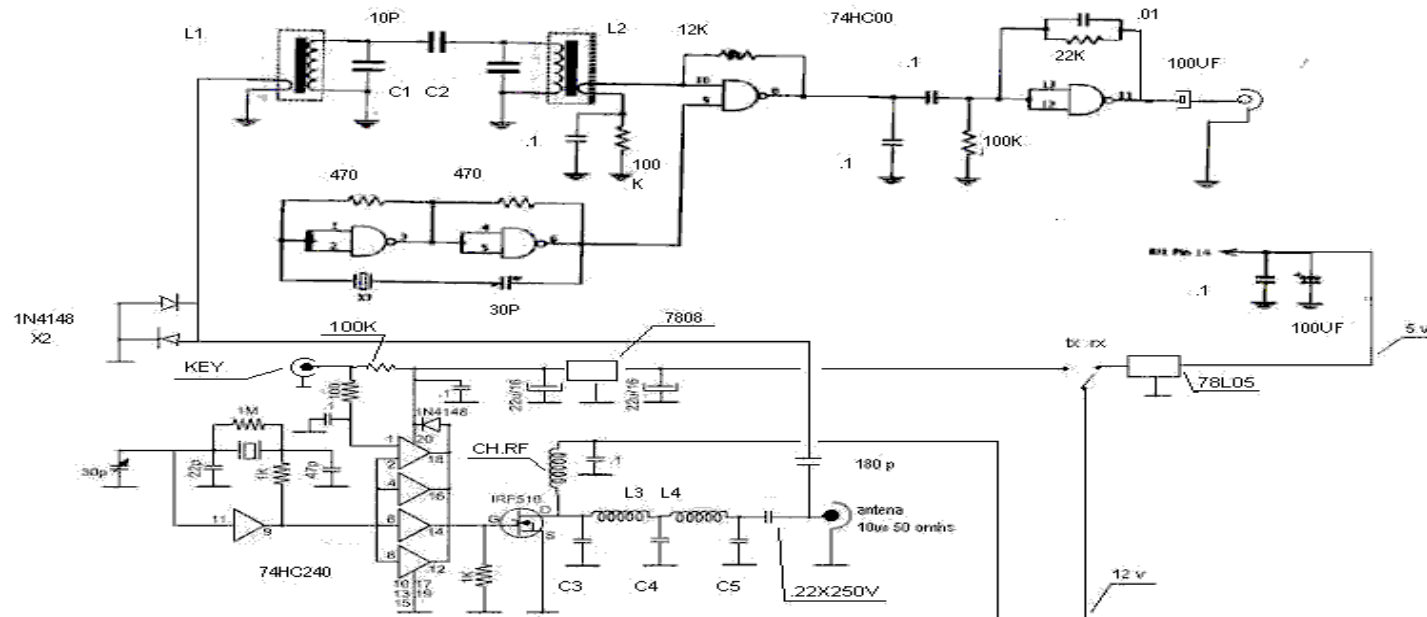
Software SDR y PC para mejorar sus prestaciones.

Modos: AM, CW, LSB, USB, FM.

**Fuentes:** [qsl.net/lu8eha/lab\\_ref2.html](http://qsl.net/lu8eha/lab_ref2.html)

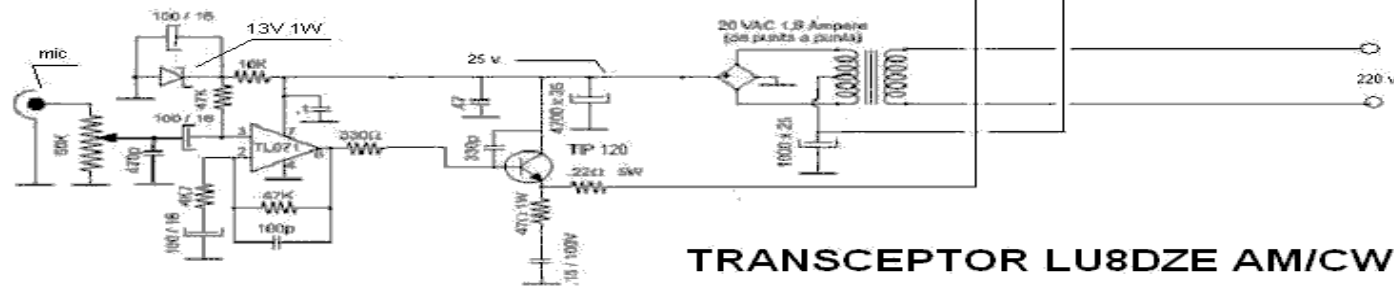
<http://fhs-consulting.com/aa1tj/80mttdirectconversionreceiver.html>

[m0kgk.co.uk/sdr/download.php](http://m0kgk.co.uk/sdr/download.php)

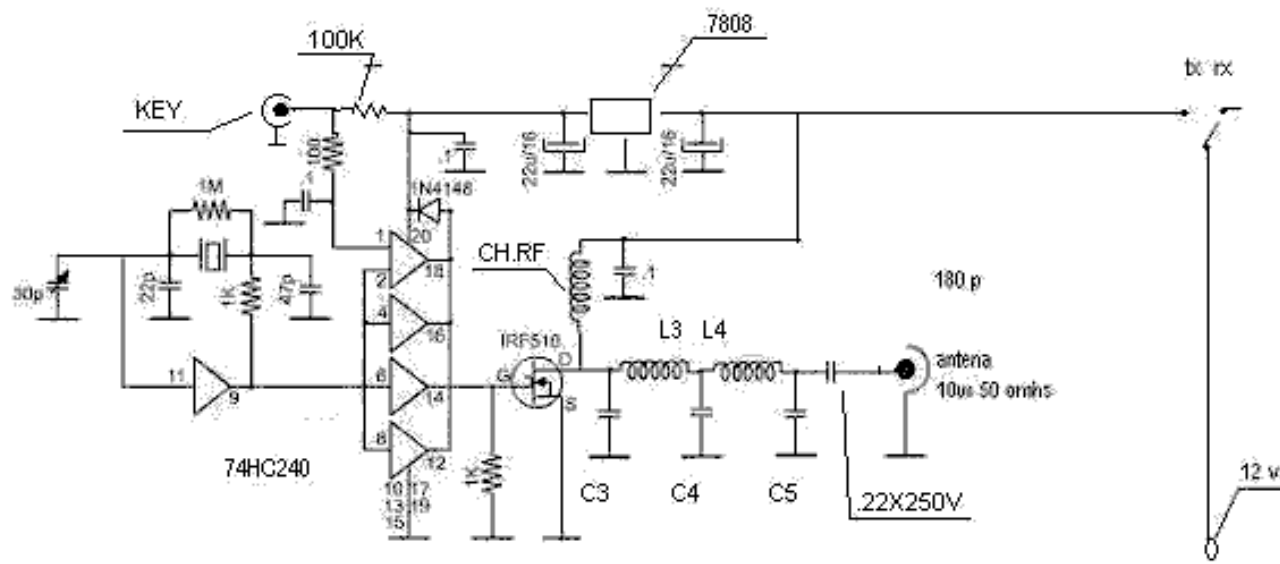


**RADIO CLUB LA PLATA**

**LU8DZE**

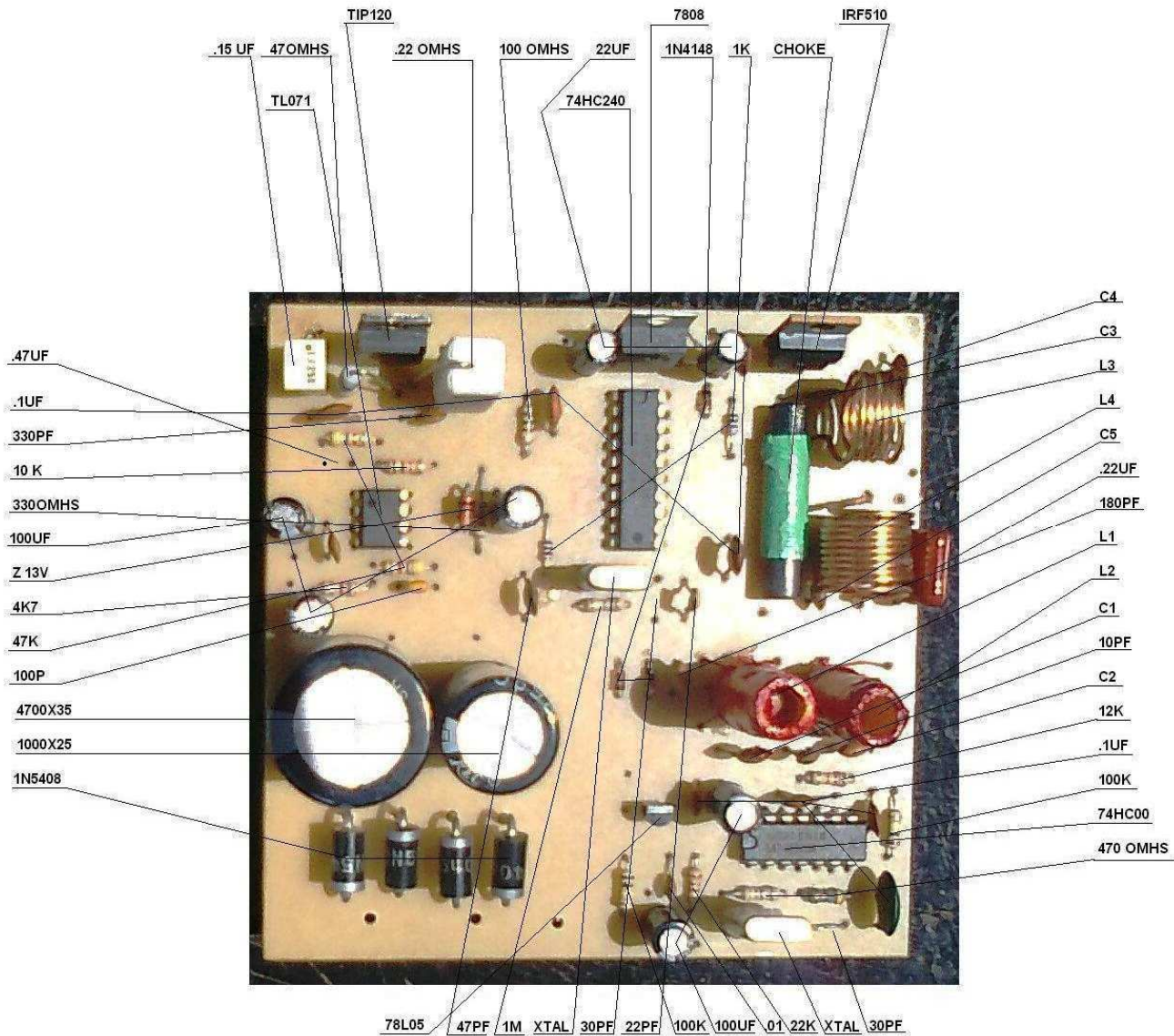


**TRANSECTOR LU8DZE AM/CW 10W**



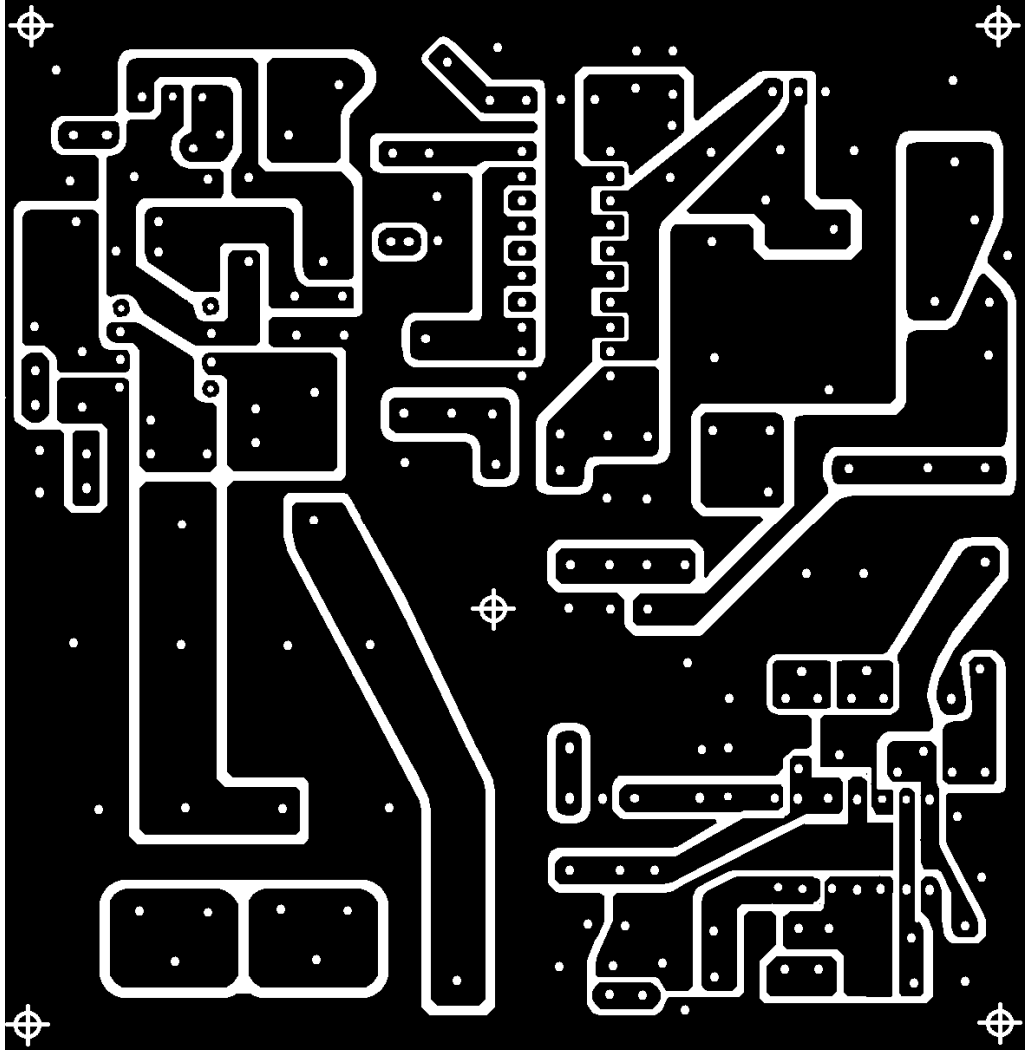
## Versión CW 80/40 MTS

# Lado Componentes



# Circuito Impreso

(Reverso)



# Lista Componentes

| CAPACITORES    | CANT.  | RESISTENCIAS  | CANT. | CIRC. INTEGRADOS | CANT. | TRANSIST/ DIODOS | CANT. | CRISTALES     | CANT. | TRANSFORMADOR  | CANT. |
|----------------|--------|---------------|-------|------------------|-------|------------------|-------|---------------|-------|----------------|-------|
| 10 PF x50v     | 1      | .22 OMHS 5W   | 1     | TL 071           | 1     | IRF 510          | 1     | 3.582MHZ (80) | 2     | 220/12+12 1.5A | 1     |
| 22 PF x50v     | 1      | 47 OMHS 1W    | 1     | 74HC240          | 1     | TIP 120          | 1     | 7.164MHZ (40) | 2     |                |       |
| 47 PF x50v     | 1      | 100 OMHS 1/4w | 1     | 74HC00           | 1     | 1N4148           | 3     |               |       | TOTAL          | 1     |
| 100 PF x50v    | 1      | 330 OMHS 1/4w | 1     | 7808             | 1     | ZENER 13V 1W     | 1     | TOTAL         | 2     |                |       |
| 180 PF x50v    | 1      | 1 K 1/4w      | 2     | 78L05            | 1     | 1N5408           | 4     |               |       |                |       |
| 330 PF x50v    | 1      | 4K7 1/4w      | 1     |                  |       |                  |       |               |       |                |       |
| 470 PF x50v    | 1      | 47 K 1/4w     | 2     | TOTAL            | 5     | TOTAL            | 10    |               |       |                |       |
| .1 UF x50v     | 8      | 10 K 1/4w     | 1     |                  |       |                  |       |               |       |                |       |
| .15 UF x50v    | 1      | 1 M OMHS 1/4w | 1     |                  |       |                  |       |               |       |                |       |
| .22 UF x250v   | 1      | 470 OMHS 1/4w | 2     |                  |       |                  |       |               |       |                |       |
| .47 UF x50v    | 1      | 100 K 1/4w    | 2     |                  |       |                  |       |               |       |                |       |
| .01 UF x50v    | 1      | 12 K 1/4w     | 1     |                  |       |                  |       |               |       |                |       |
| 100 UF x16v    | 5      | 22 K 1/4w     | 1     |                  |       |                  |       |               |       |                |       |
| 22 UF x16v     | 2      |               |       |                  |       |                  |       |               |       |                |       |
| 1000 UF x25v   | 1      | TOTAL         | 17    |                  |       |                  |       |               |       |                |       |
| 4700 UF x35v   | 1      |               |       |                  |       |                  |       |               |       |                |       |
| 30 PF TRIMMER  | 2      |               |       |                  |       |                  |       |               |       |                |       |
| 330 PF x50v    | C1(80) |               |       |                  |       |                  |       |               |       |                |       |
| 330 PF x50v    | C2(80) |               |       |                  |       |                  |       |               |       |                |       |
| 1500 PF X 250V | C3(80) |               |       |                  |       |                  |       |               |       |                |       |
| 3900 PF X 250V | C4(80) |               |       |                  |       |                  |       |               |       |                |       |
| 1200 PF X 250V | C5(80) |               |       |                  |       |                  |       |               |       |                |       |
| 100 PF X50V    | C1(40) |               |       |                  |       |                  |       |               |       |                |       |
| 100 PF X 50V   | C2(40) |               |       |                  |       |                  |       |               |       |                |       |
| 630 PF X 250V  | C3(40) |               |       |                  |       |                  |       |               |       |                |       |
| 1500 PF X 250V | C4(40) |               |       |                  |       |                  |       |               |       |                |       |
| 430 PF X 250V  | C5(40) |               |       |                  |       |                  |       |               |       |                |       |
| TOTAL          | 35     |               |       |                  |       |                  |       |               |       |                |       |

| CHOKE RF |                          |
|----------|--------------------------|
| 30       | ESP.AL 0.25 FERRITE 5 MM |

| BOBINAS 80 MTS |                            |
|----------------|----------------------------|
| L1             | 40 ESP. AL 0.20 DIAM.7 MM  |
| L2             | 40 ESP. AL 0.20 DIAM.7 MM  |
| L3             | 9 ESP.AL 1MM DIAM.16 MM    |
| L4             | 14 ESP. AL 1 MM DIAM 1 6MM |

| BOBINAS 40 MTS |                            |
|----------------|----------------------------|
| L1             | 25 ESP. AL 0.20 DIAM .7 MM |
| L2             | 25 ESP. AL 0.20 DIAM .7 MM |
| L3             | 6 ESP.AL 1 MM DIAM .16 MM  |
| L4             | 11 ESP.AL 1 MM DIAM 16 MM  |